

CSMIO/IP-M

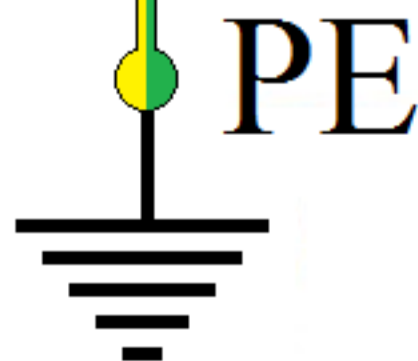
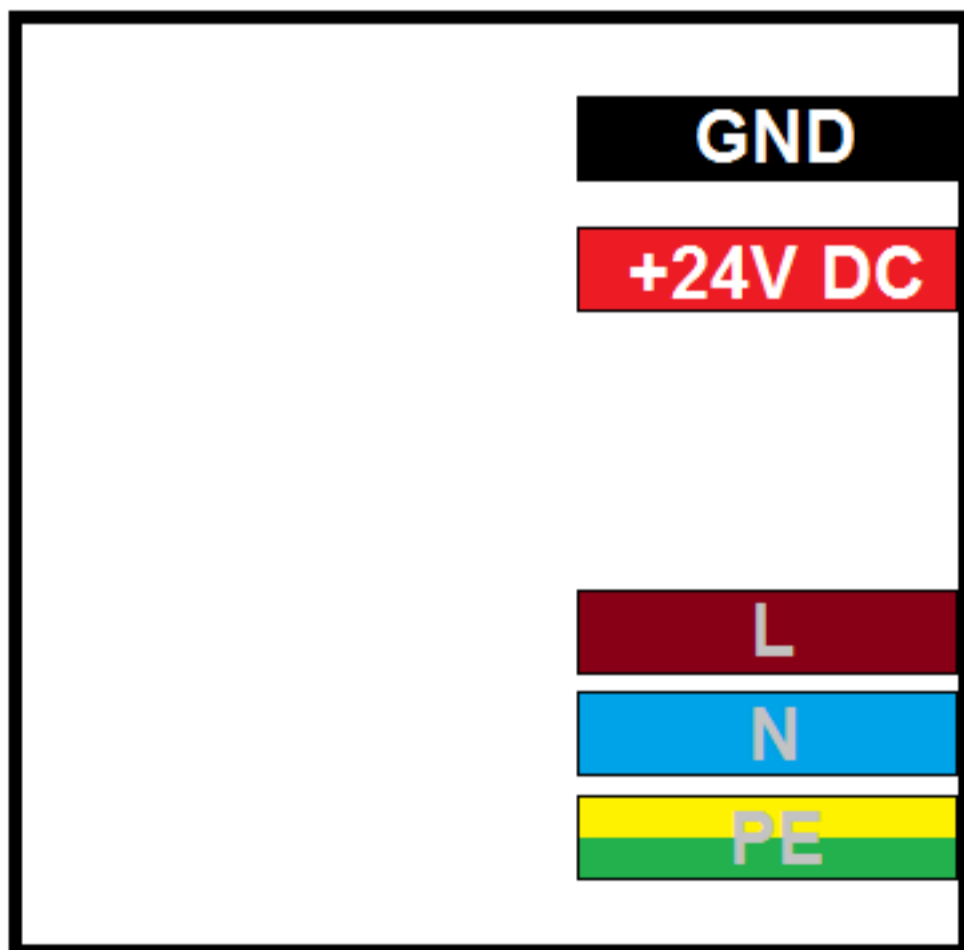
STEP/DIR OUTPUTS

PIN number	Details
2	STEP[0]+
15	STEP[0]-
1	DIR[0]+
14	DIR[0]-

Power supply input

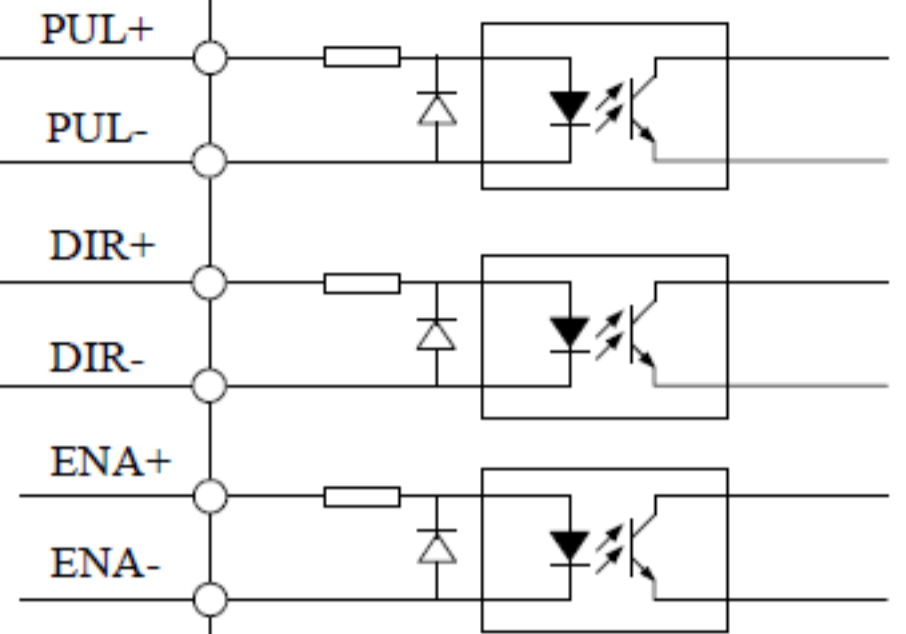
Pin number	Description
1	Power – 24V DC
2	GND
3	ground

Power Supply



EM Series Stepper Drives

Leadshine



EM402

EM806

Twisted pairs

Shield