

4.3 Digital inputs connector

PIN number	Description
15	1 (-) Input
16	2 (-) Input
17	3 (-) Input
2	1 (+) Input
3	2 (+) Input
4	3 (+) Input

PIN number	Description
9	24V power supply for 0..3 outputs
10	Output 0
11	Output 2
22	0V power supply for 0..3 outputs

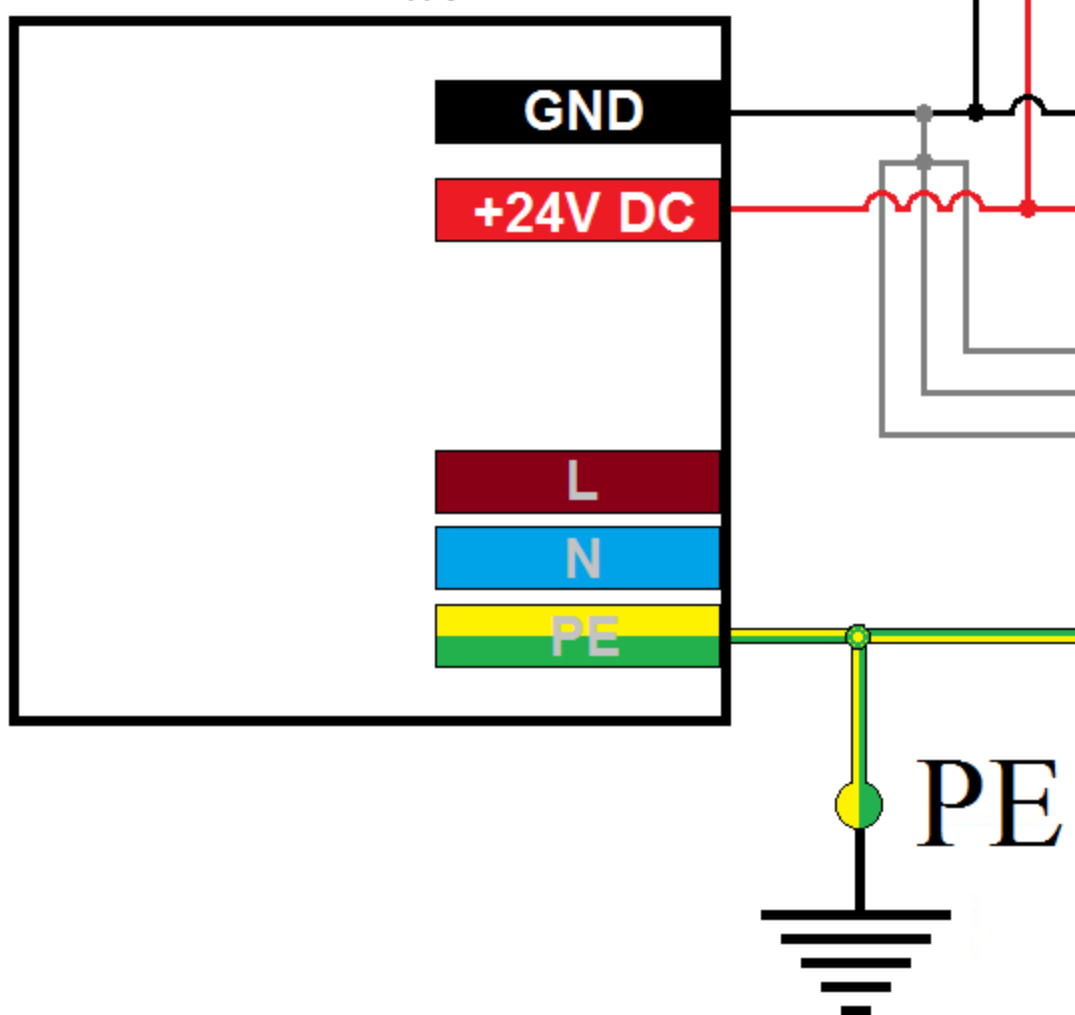
4.2 STEP/DIR controlling signals and digital outputs connector

1	DIR[0]+
2	STEP[0]+
3	DIR[1]+
4	STEP[1]+
5	DIR[2]+
6	STEP[2]+

14	DIR[0]-
15	STEP[0]-
16	DIR[1]-
17	STEP[1]-
18	DIR[2]-
19	STEP[2]-

Pin number	Description
1	Power -24V DC
2	GND
3	ground

Power Supply



AASD 30A
Standard Version

DIR-	PP-	5
DIR+	PP+	4
STEP-	PP-	14
STEP+	PP+	8
GND	COM	10
Servo enable	SigIn1	6
Alarm reset	SigIn2	7
+24V	DC12-24V	9
Alarm detection	SigOut2	23

AASD 30A
Standard Version

DIR-	PP-	5
DIR+	PP+	4
STEP-	PP-	14
STEP+	PP+	8
GND	COM	10
Servo enable	SigIn1	6
Alarm reset	SigIn2	7
+24V	DC12-24V	9
Alarm detection	SigOut2	23

AASD 30A
Standard Version

DIR-	PP-	5
DIR+	PP+	4
STEP-	PP-	14
STEP+	PP+	8
GND	COM	10
Servo enable	SigIn1	6
Alarm reset	SigIn2	7
+24V	DC12-24V	9
Alarm detection	SigOut2	23