

# HY07D543B

PD001	Source of Run Commands	0: Operator 1: External terminal	0
PD002	Source of Operating Frequency	0: Operator 1: External terminal	0

PD001 Source of Operation Commands  
Set Range: 0—2 Unit: 1 Factory Setting: 0

- 0: Set by the Operator  
Operation commands are given via the digital operator.
- 1: Set by external terminals.  
Operation commands are given via external terminals, i.e. multi-input terminals
- 2: Set by communication ports.  
Operation commands are given via communication ports.

PD002 Source of Operating Frequency  
Set Range: 0—2 Unit: 1 Factory Setting: 0

- 0: Set by the operator. Operating frequency is given via the digital operator.
- 1: Set by external terminals. Operating frequency is controlled by analog signals input via external terminals. The signal type is determined by PD070. For the related parameters refer to PD070-PD076.
- 2: Set by communication ports. Operating frequency is given via the serial communication.

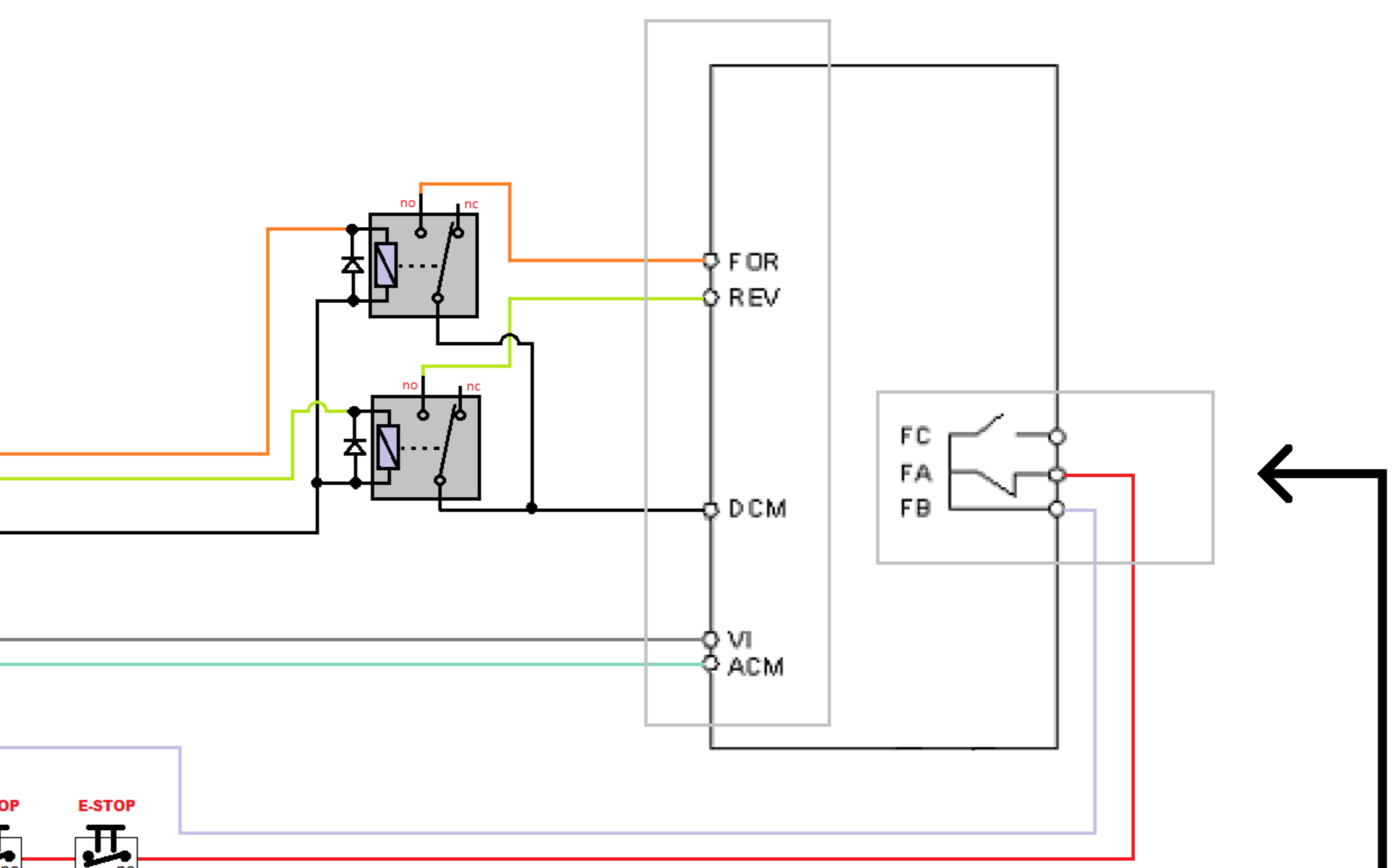
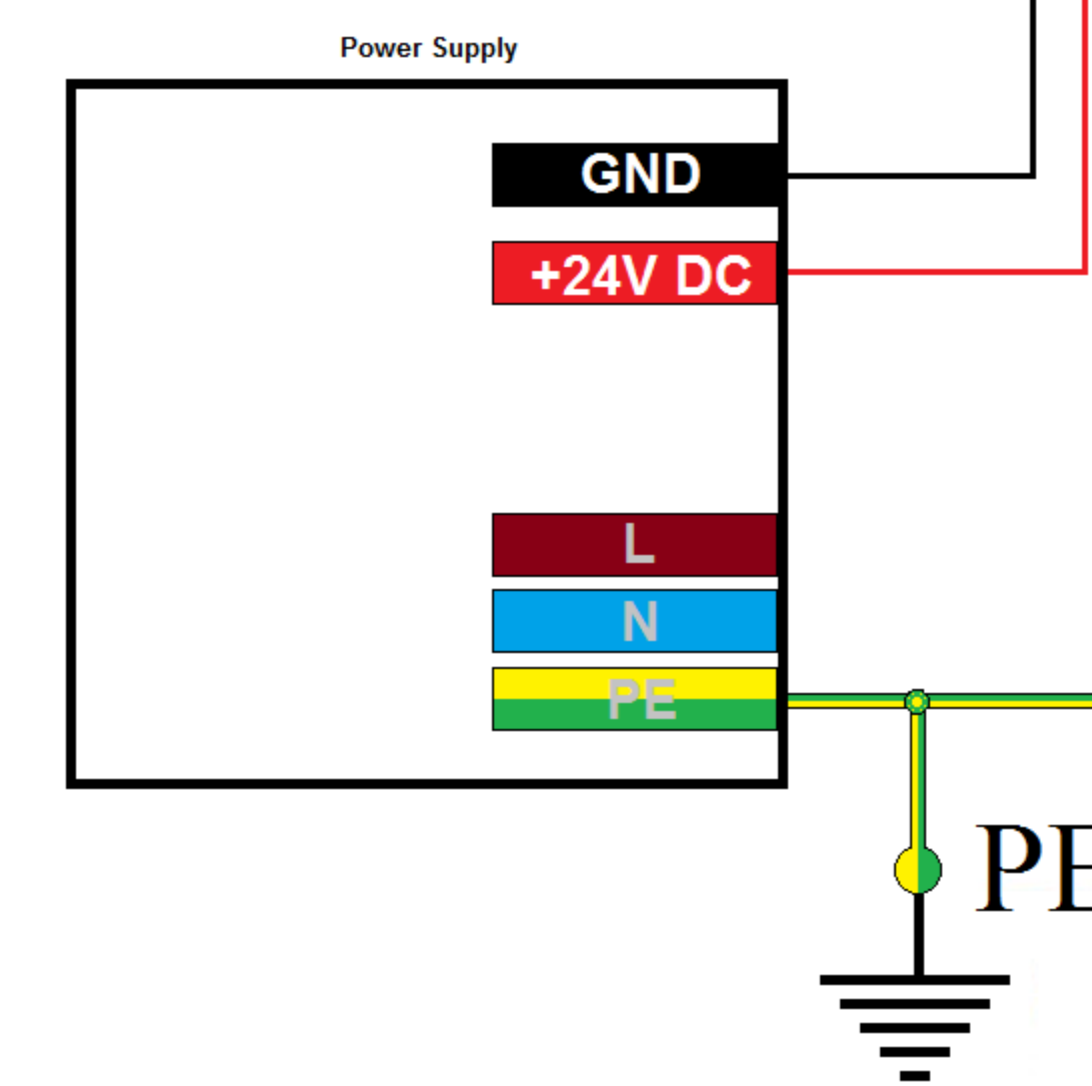
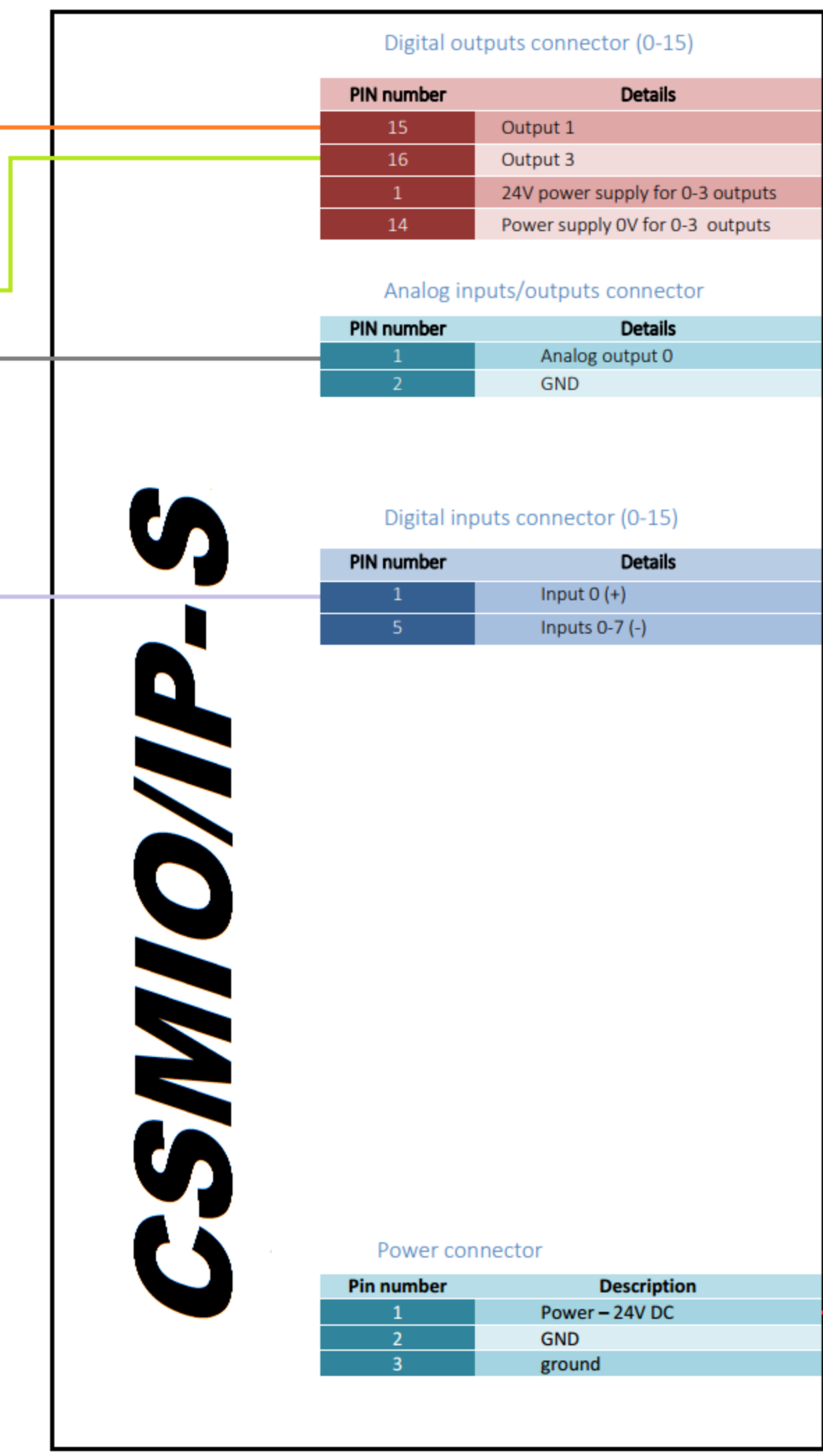
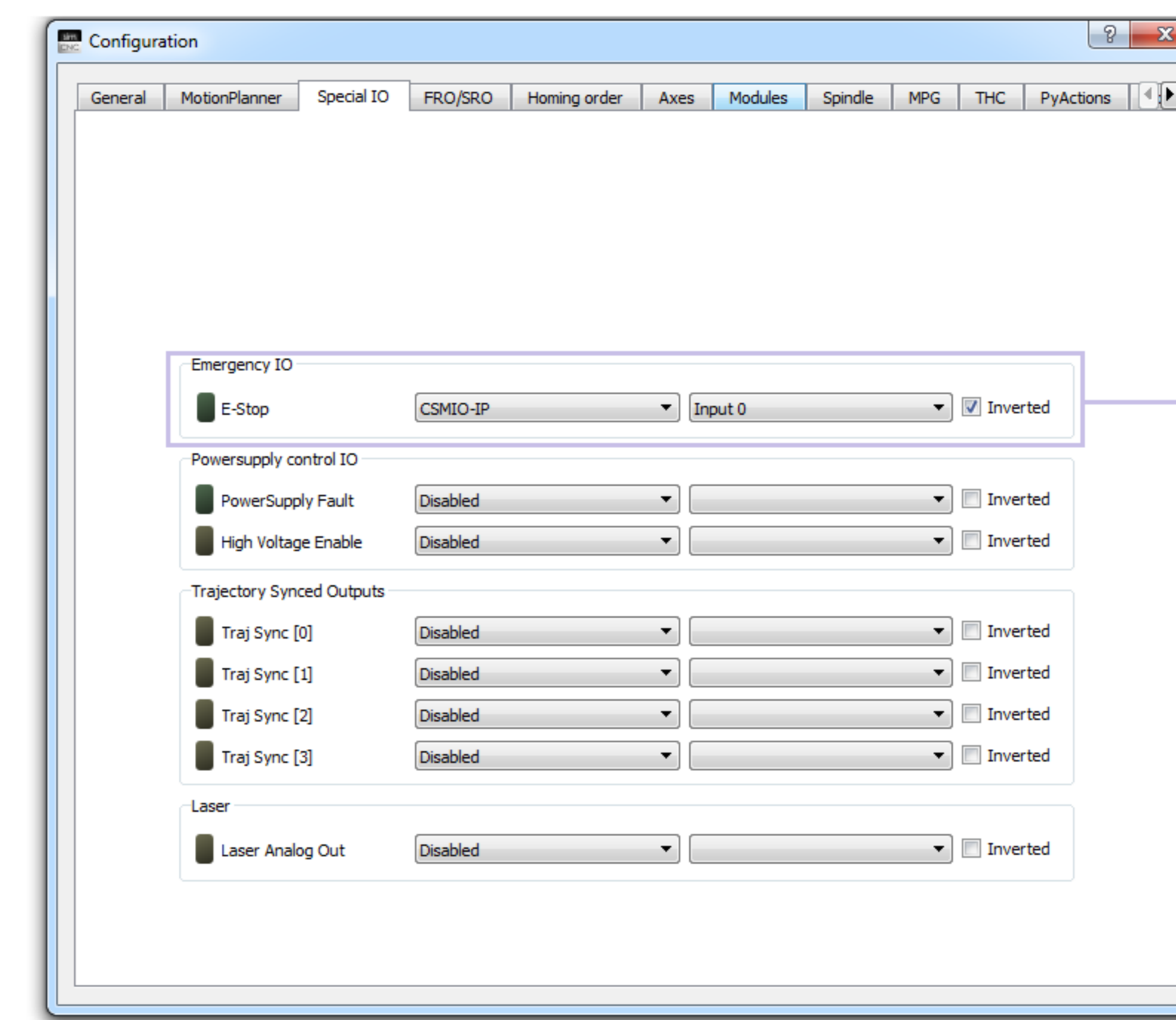
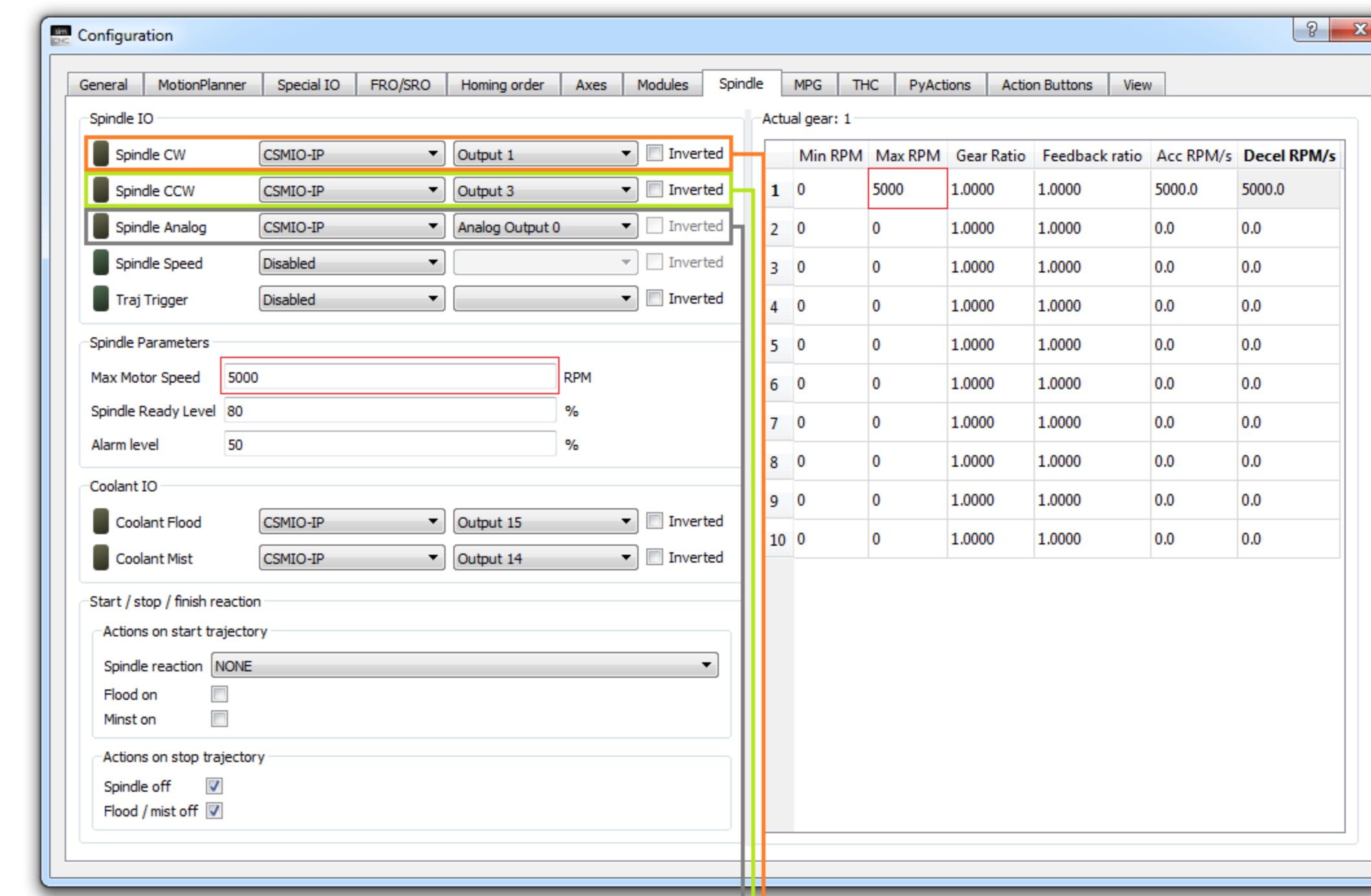
PD070 Analog Input  
Set Range: 0—10 Unit: 1 Factory Setting: 0

- 0: 0~10V
- 1: 0~5V
- 2: 0~20mA
- 3: 4~20mA
- 4: 0-10V 与 4-20mA stacked
- 5: XIA
- 6: (VI+XIA) /2
- 7: (3VA+XIA) /4
- 8: (XIA+XIB) /2
- 9: Max (XIA, XIB)
- 10: Min (XIA, XIB)

PD071-PD076 parameters set according to the needs of

PD044	Multi-input 1 (FOR function)	Factory Setting: 02
PD045	Multi-input 2 (REV function)	Factory Setting: 03
PD046	Multi-input 3 (RST function)	Factory Setting: 10
PD047	Multi-input 4 (SPH function)	Factory Setting: 17
PD048	Multi-input 5 (SPM function)	Factory Setting: 18
PD049	Multi-input 6 (SPL function)	Factory Setting: 19
Set Range: 00—32		Unit: No

- 00: Invalid. The terminal is set for empty to prevent false actions.
- 01: RUN Running. It can be combined with other terminals to compose multiple control modes.
- 02: FOR Forward Rotation
- 03: REV Reverse Rotation



### 8. Description of AutoPLC Clear Suspend:

For details refer to 10. Example Application of AutoPLC Suspend in Appendix 1 and the description of related parameters in PD117.

* PD050	Multi-Output 1 (DRV function)	Factory Setting: 01**
* PD051	Multi-Output 2 (UPF function)	Factory Setting: 05
* PD052	Multi-Output 3 (FA, FB, FC function)	Factory Setting: 02
* PD053	Multi-Output 4 (KA, KB function)	Factory Setting: 00
Set Range: 00—32		Unit: 1

#### Note:

① The above functions with the mark of \* are dedicated to the inverter of A series, which may be not available for P or J series.

02: Fault Indication: The contact will act when the inverter detects abnormal conditions.

