

**CSMIO/IP-A**

Encoder inputs connector (0 / 1 / 2)

PIN number	Description
1	Enc. CH0 A+
14	Enc. CH0 A-
2	Enc. CH0 B+
15	Enc. CH0 B-
3	Enc. CH0 H+
16	Enc. CH0 H-
17	GND
5	Enc. CH1 A+
18	Enc. CH1 A-
6	Enc. CH1 B+
19	Enc. CH1 B-
7	Enc. CH1 H+
20	Enc. CH1 H-
21	GND
9	Enc. CH2 A+
22	Enc. CH2 A-
10	Enc. CH2 B+
23	Enc. CH2 B-
11	Enc. CH2 H+
24	Enc. CH2 H-
25	GND

Analog inputs/outputs connector

PIN number	Description
1	Analog output CH0 (+/-10V)
14	GNDCH0
2	Analog output CH1 (+/-10V)
15	GNDCH1
3	Analog output CH2 (+/-10V)
16	GNDCH2

Digital inputs connector (0-11)

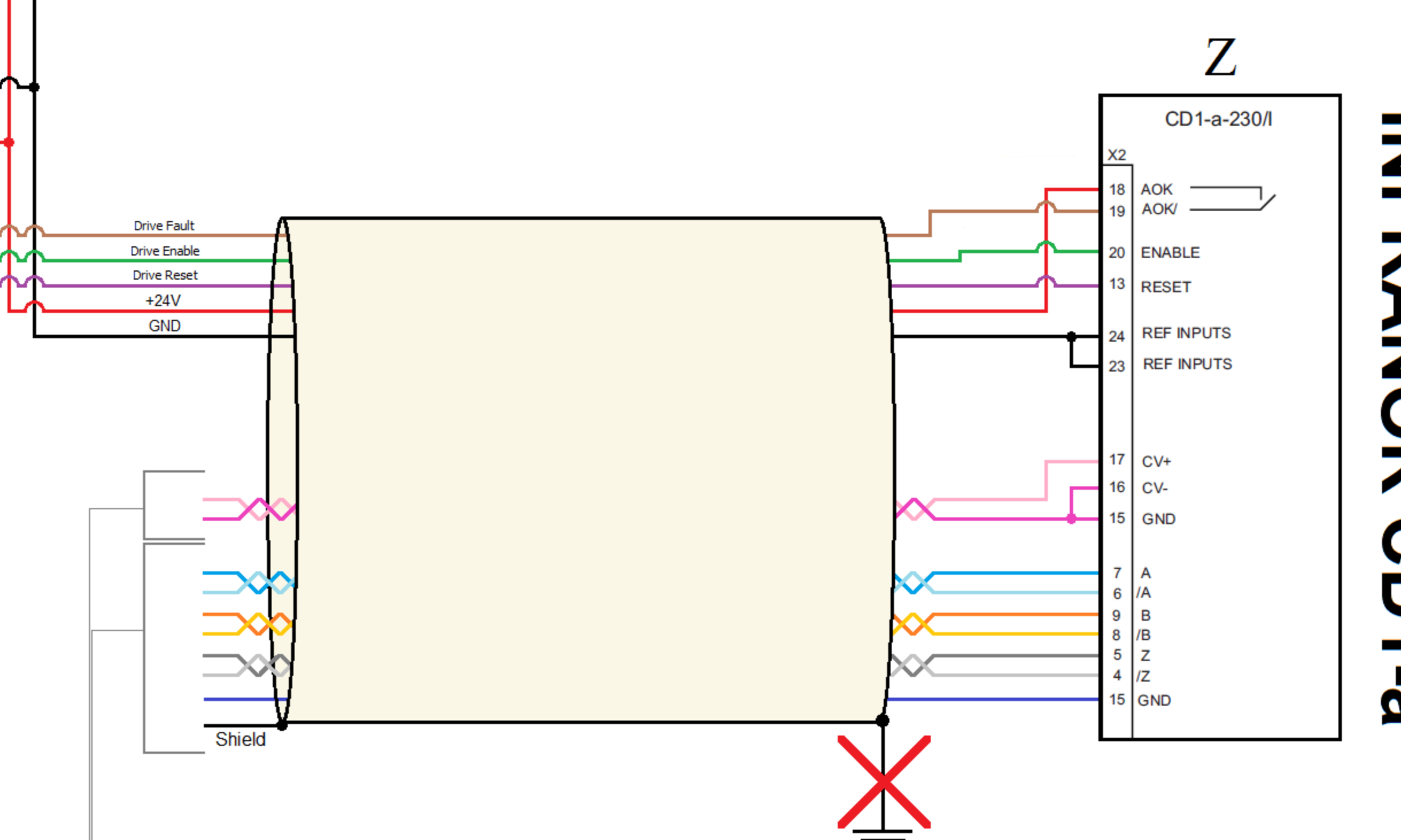
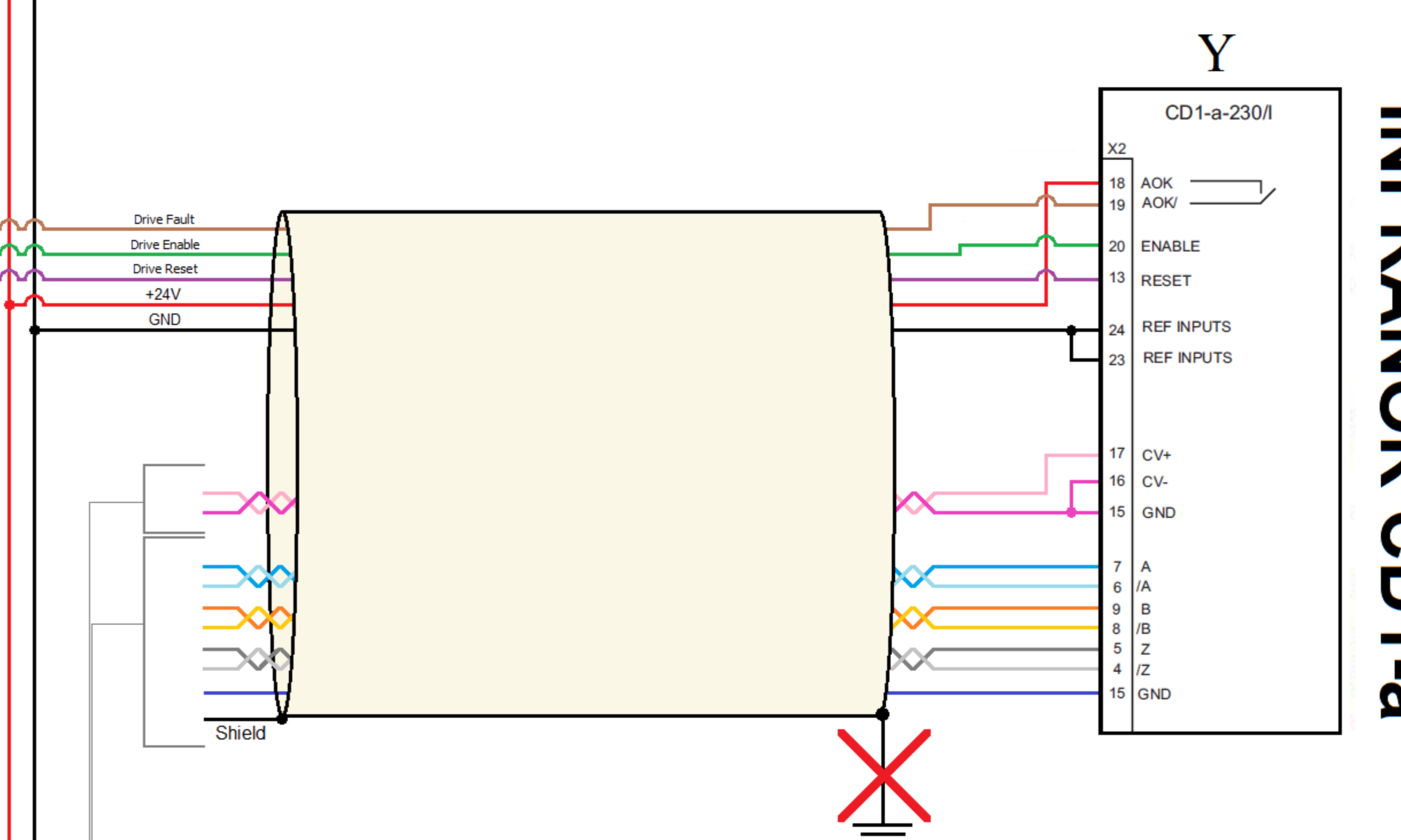
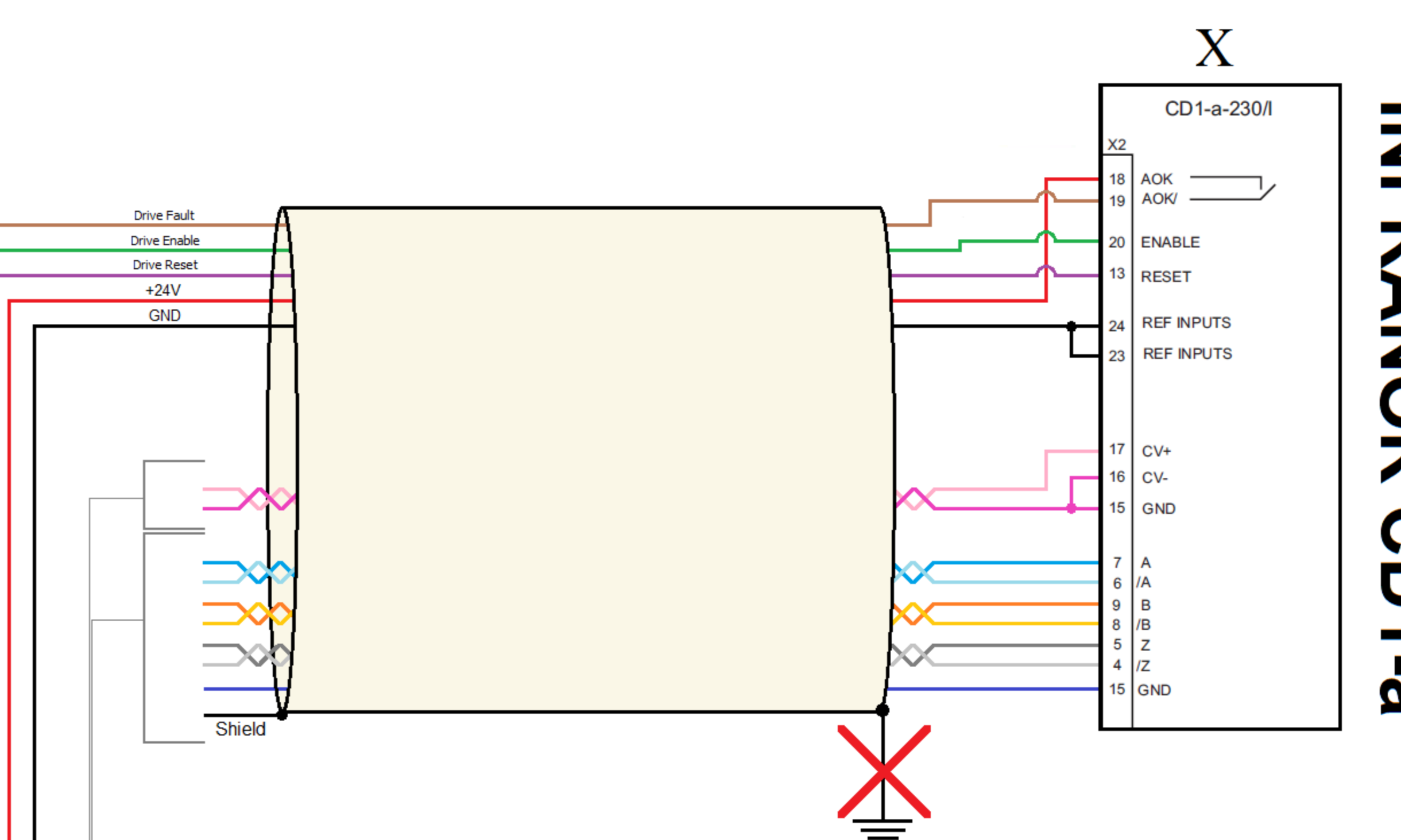
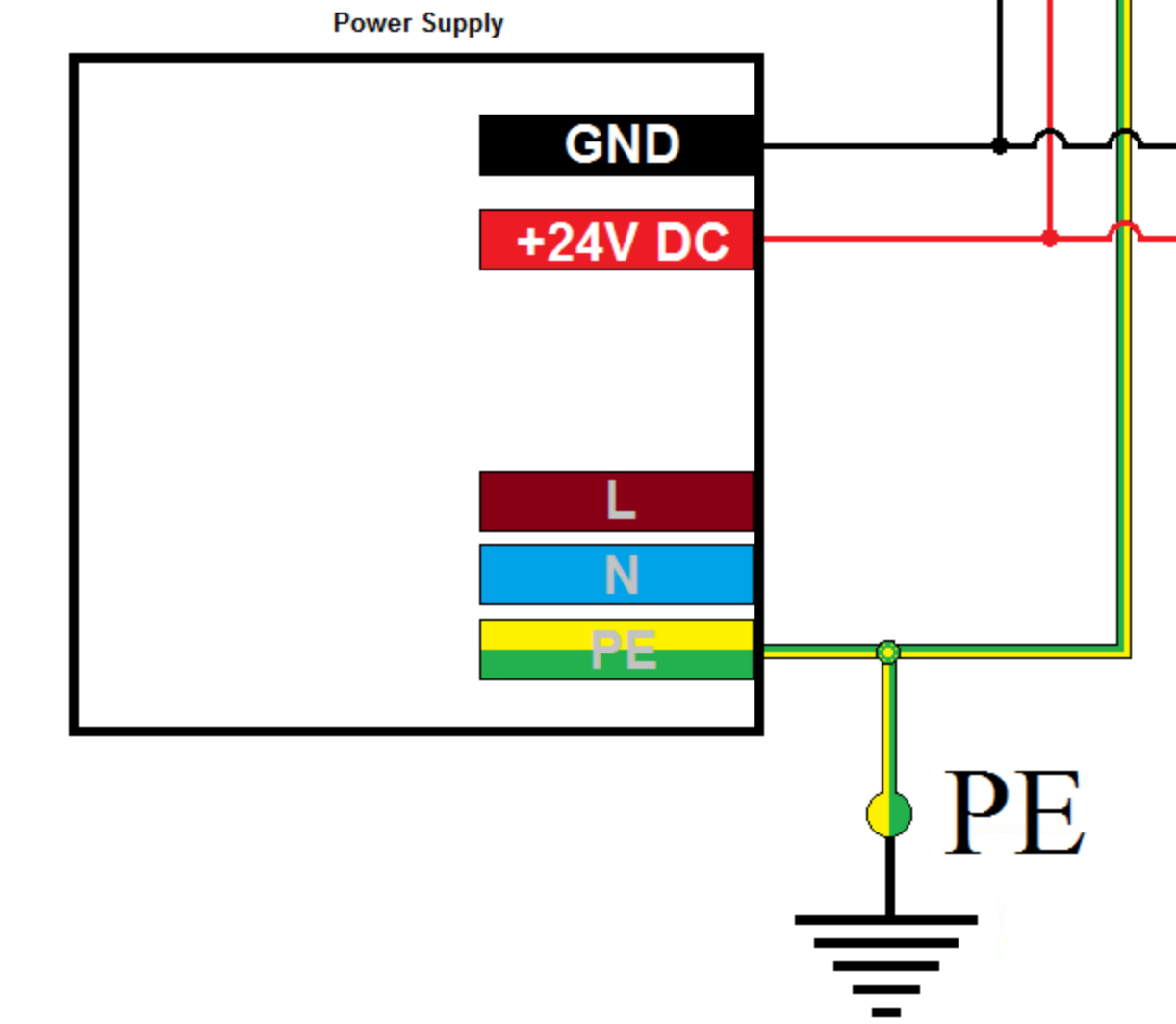
PIN number	Description
1	Input 0 (+)
2	Input 1 (+)
3	Input 2 (+)
4	Input 3 (+)
14	Input 0 (-)
15	Input 1 (-)
16	Input 2 (-)
17	Input 3 (-)

Digital outputs connector (0-15)

PIN number	Details
1	24V power supply for 0-3 outputs
2	Output 0
3	Output 2
14	Power supply 0V for 0-3 outputs

Power connector

PIN number	Description
1	Power - 24V DC
2	GND
3	ground



Configuration

Emergency ID: E-Stop (CSMIO-IP) Input 0 Inverted

Power supply control ID: Power Supply Fault Disabled, High Voltage Enable Disabled

Trajectory Synced Outputs: Traj Sync [0] Disabled, Traj Sync [1] Disabled, Traj Sync [2] Disabled, Traj Sync [3] Disabled

Laser: Laser Analog Out Disabled

Configuration

MotorKit setup: Motor tuning, Limit+, Limit-, Home, Backlash compensation, Enable delay, Reset duration, Steps beta index, No surt forbidden, No surt warning, Direction, Encoder direction

Input signals: MotorKit 0, MotorKit 1, MotorKit 2, MotorKit 4, MotorKit 5

Output signals: Drive Enable (CSMIO-IP) Output 0, Drive Reset (CSMIO-IP) Output 2

Configuration

MotorKit setup: Motor tuning, Limit+, Limit-, Home, Backlash compensation, Enable delay, Reset duration, Steps beta index, No surt forbidden, No surt warning, Direction, Encoder direction

Input signals: MotorKit 0, MotorKit 1, MotorKit 2, MotorKit 4, MotorKit 5

Output signals: Drive Enable (CSMIO-IP) Output 0, Drive Reset (CSMIO-IP) Output 2

Configuration

MotorKit setup: Motor tuning, Limit+, Limit-, Home, Backlash compensation, Enable delay, Reset duration, Steps beta index, No surt forbidden, No surt warning, Direction, Encoder direction

Input signals: MotorKit 0, MotorKit 1, MotorKit 2, MotorKit 4, MotorKit 5

Output signals: Drive Enable (CSMIO-IP) Output 0, Drive Reset (CSMIO-IP) Output 2

Configuration

MotorKit setup: Motor tuning, Limit+, Limit-, Home, Backlash compensation, Enable delay, Reset duration, Steps beta index, No surt forbidden, No surt warning, Direction, Encoder direction

Input signals: MotorKit 0, MotorKit 1, MotorKit 2, MotorKit 4, MotorKit 5

Output signals: Drive Enable (CSMIO-IP) Output 0, Drive Reset (CSMIO-IP) Output 2

Configuration

MotorKit setup: Motor tuning, Limit+, Limit-, Home, Backlash compensation, Enable delay, Reset duration, Steps beta index, No surt forbidden, No surt warning, Direction, Encoder direction

Input signals: MotorKit 0, MotorKit 1, MotorKit 2, MotorKit 4, MotorKit 5

Output signals: Drive Enable (CSMIO-IP) Output 0, Drive Reset (CSMIO-IP) Output 2

Configuration

MotorKit setup: Motor tuning, Limit+, Limit-, Home, Backlash compensation, Enable delay, Reset duration, Steps beta index, No surt forbidden, No surt warning, Direction, Encoder direction

Input signals: MotorKit 0, MotorKit 1, MotorKit 2, MotorKit 4, MotorKit 5

Output signals: Drive Enable (CSMIO-IP) Output 0, Drive Reset (CSMIO-IP) Output 2

Configuration

Emergency ID: E-Stop (CSMIO-IP) Input 0 Inverted

Power supply control ID: Power Supply Fault Disabled, High Voltage Enable Disabled

Trajectory Synced Outputs: Traj Sync [0] Disabled, Traj Sync [1] Disabled, Traj Sync [2] Disabled, Traj Sync [3] Disabled

Laser: Laser Analog Out Disabled