

CSMIO/IP-M

4.3 Digital inputs connector

PIN number	Description
1	0 (+) Input
2	1 (+) Input
3	2 (+) Input
4	3 (+) Input
14	0 (-) Input
15	1 (-) Input
16	2 (-) Input
17	3 (-) Input

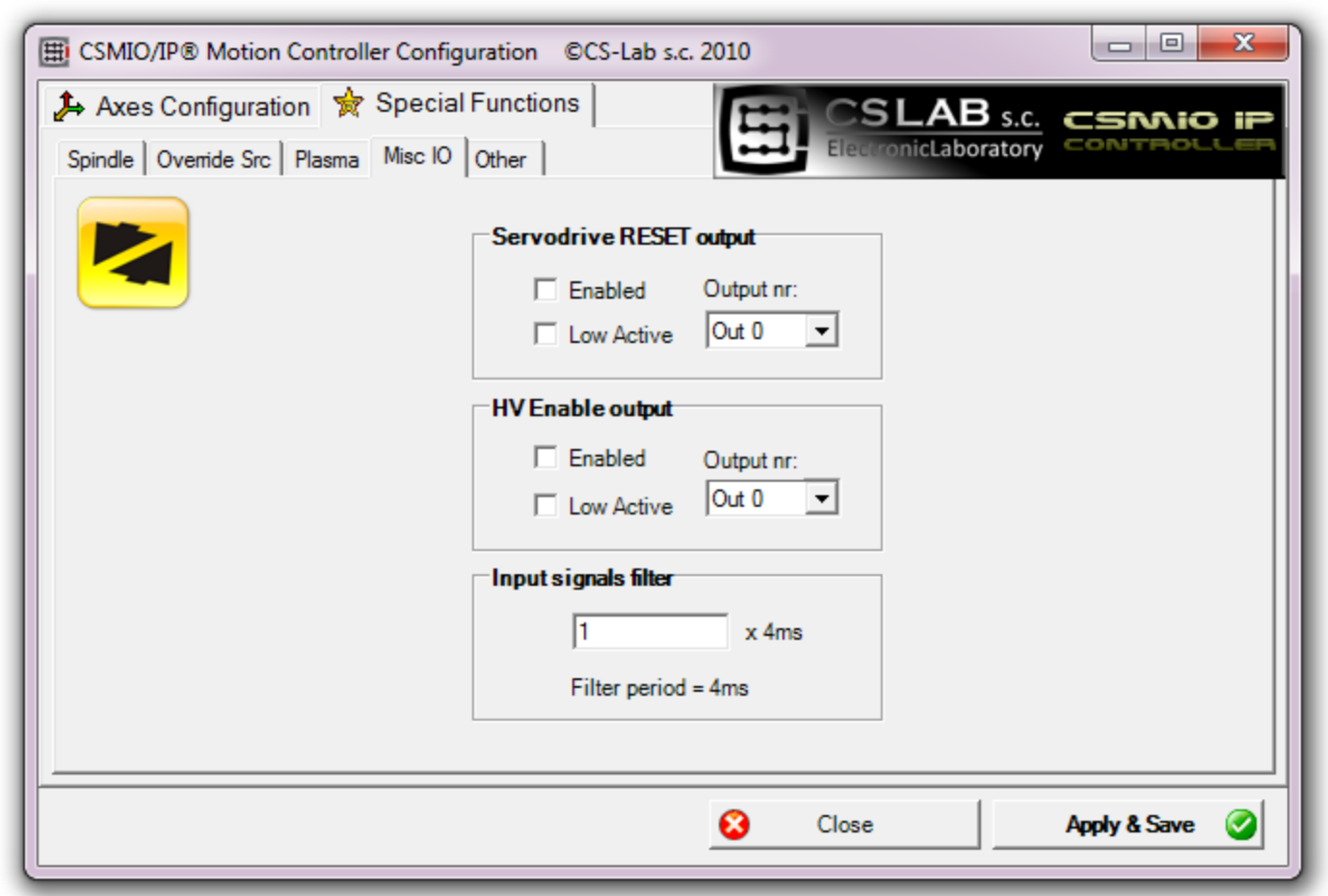
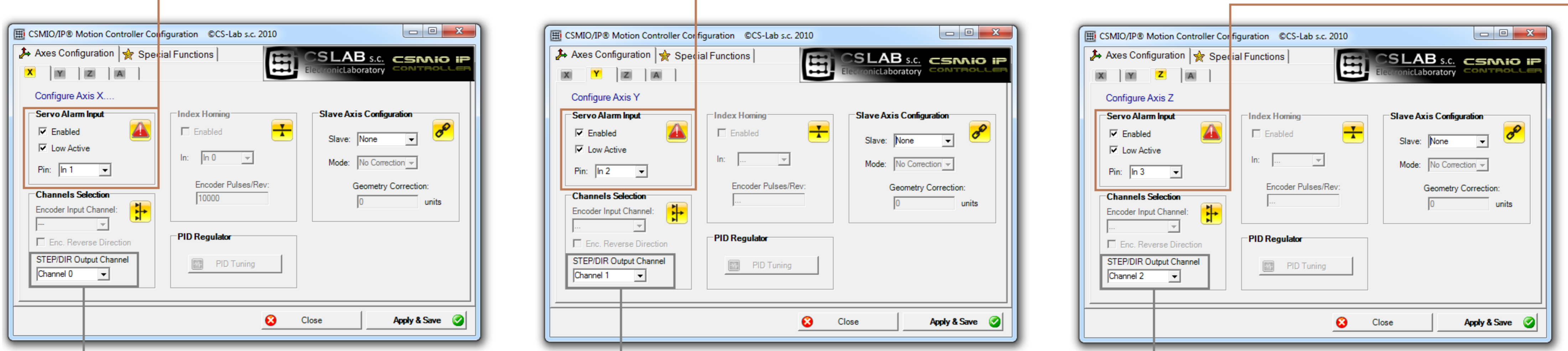
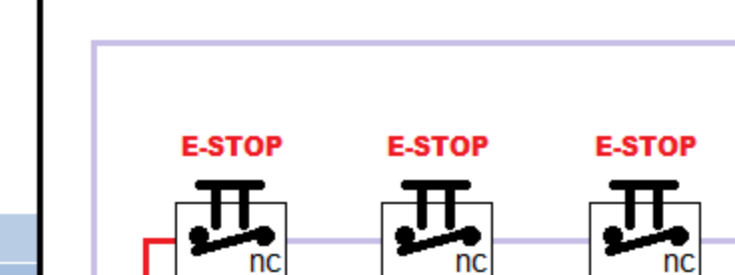
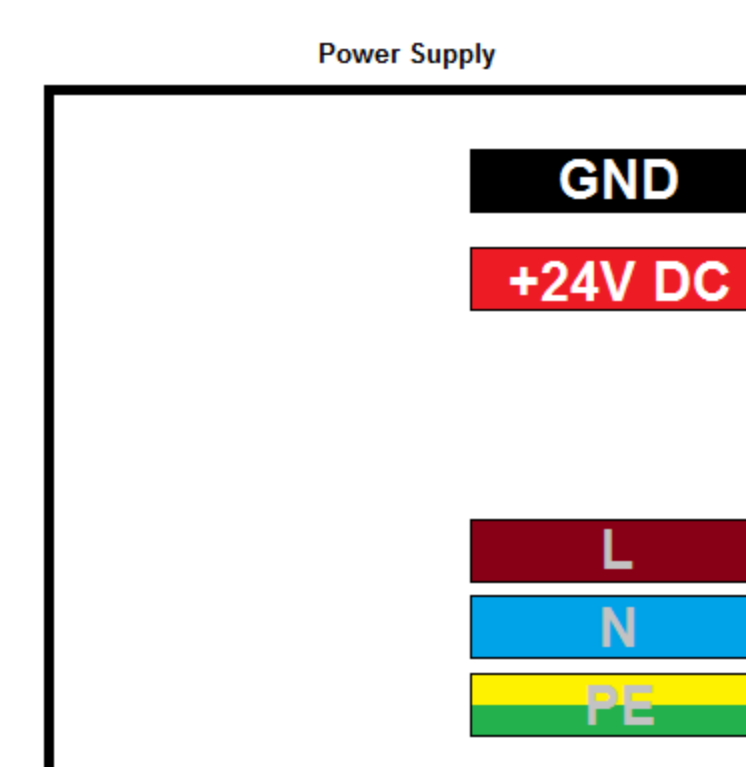
14	DIR[0]-
1	DIR[0]+
15	STEP[0]-
2	STEP[0]+

PIN number	Description
9	24V power supply for 0.3 outputs
10	Output 0
22	0V power supply for 0.3 outputs

16	DIR[1]-
3	DIR[1]+
17	STEP[1]-
4	STEP[1]+

18	DIR[2]-
5	DIR[2]+
19	STEP[2]-
6	STEP[2]+

Pin number	Description
1	Power - 24V DC
2	GND
3	ground



Engine Configuration... Ports & Pins

Signal	Enabled	Port #	Pin Number	Active Low
Digit Trigg	<input checked="" type="checkbox"/>	1	0	<input checked="" type="checkbox"/>
Enable1	<input checked="" type="checkbox"/>	10	0	<input checked="" type="checkbox"/>
Enable2	<input checked="" type="checkbox"/>	1	0	<input checked="" type="checkbox"/>
Enable3	<input checked="" type="checkbox"/>	1	0	<input checked="" type="checkbox"/>
Enable4	<input checked="" type="checkbox"/>	1	0	<input checked="" type="checkbox"/>
Enable5	<input checked="" type="checkbox"/>	1	0	<input checked="" type="checkbox"/>
Output #1	<input checked="" type="checkbox"/>	10	0	<input checked="" type="checkbox"/>
Output #2	<input checked="" type="checkbox"/>	1	0	<input checked="" type="checkbox"/>

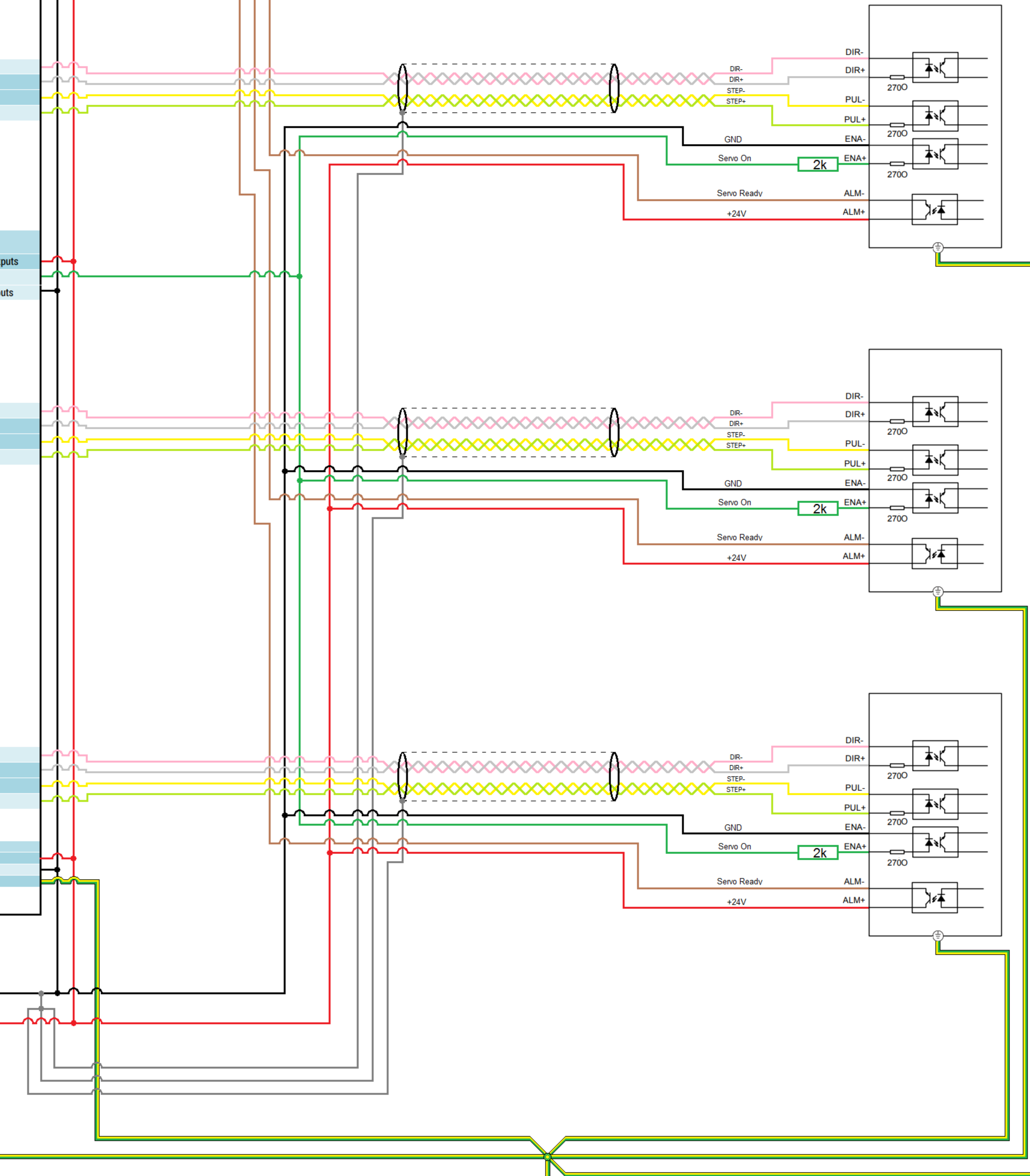
Pins 2 - 9, 1, 14, 16, and 17 are output pins. No other pin numbers should be used.

Engine Configuration... Ports & Pins

Signal	Enabled	Port #	Pin Number	Active Low	Emulated	HotKey
Probe	<input checked="" type="checkbox"/>	1	0	<input checked="" type="checkbox"/>	<input checked="" type="checkbox"/>	0
Index	<input checked="" type="checkbox"/>	1	0	<input checked="" type="checkbox"/>	<input checked="" type="checkbox"/>	0
Limit Ovrld	<input checked="" type="checkbox"/>	1	0	<input checked="" type="checkbox"/>	<input checked="" type="checkbox"/>	0
Estop	<input checked="" type="checkbox"/>	10	0	<input checked="" type="checkbox"/>	<input checked="" type="checkbox"/>	0
THC On	<input checked="" type="checkbox"/>	1	0	<input checked="" type="checkbox"/>	<input checked="" type="checkbox"/>	0
THC Up	<input checked="" type="checkbox"/>	1	0	<input checked="" type="checkbox"/>	<input checked="" type="checkbox"/>	0
THC Down	<input checked="" type="checkbox"/>	1	0	<input checked="" type="checkbox"/>	<input checked="" type="checkbox"/>	0
OEM Trig #1	<input checked="" type="checkbox"/>	1	0	<input checked="" type="checkbox"/>	<input checked="" type="checkbox"/>	0
OEM Trig #2	<input checked="" type="checkbox"/>	1	0	<input checked="" type="checkbox"/>	<input checked="" type="checkbox"/>	0

Pins 10-13 and 15 are inputs. Only these 5 pin numbers may be used on this screen.

STEP/DIR controlling signals and digital outputs connector



Mach3

Earth Bars
Listwa uziemiająca

